

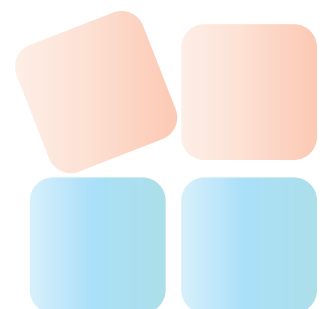


## W-SERIES

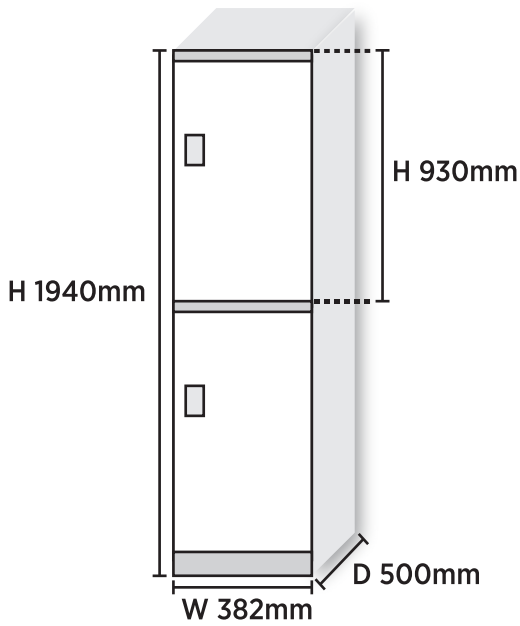


## FEATURES

- Highly scalable
- Strong and durable
- Multiple locking options
- Moisture and corrosion resistant
- Multiple colours for mix-and-match
- Adjustable shelves for flexible storage

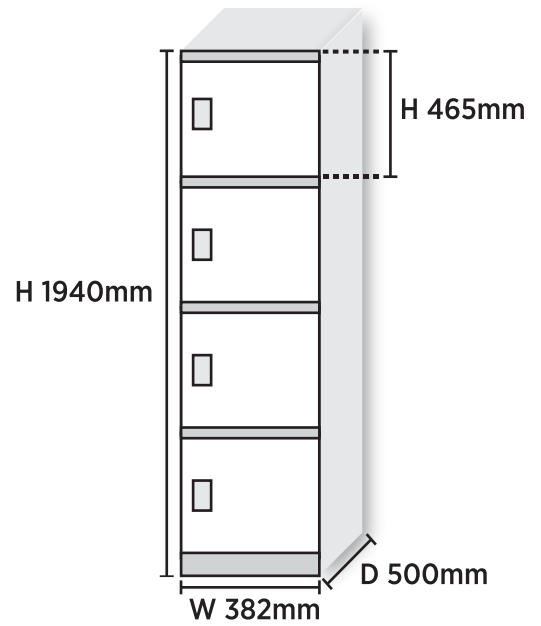


# SPECIFICATIONS



Size XL\*

\*includes a hanging rod and adjustable shelf



Size M

# COLOURS



# LOCKS



RFID



COIN-RETURN



KEY



KEYLESS



LATCH

**Focus Action Sdn Bhd** (691727-T)

No. 6 & 6A, Jalan SS 3/31, University Garden,  
47300 Petaling Jaya,  
Selangor, Malaysia.

Tel: +603 7877 7070 Fax: +603 7873 8636

Email: [sales@drlocker.com](mailto:sales@drlocker.com)



[drlocker.com](http://drlocker.com)